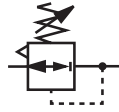
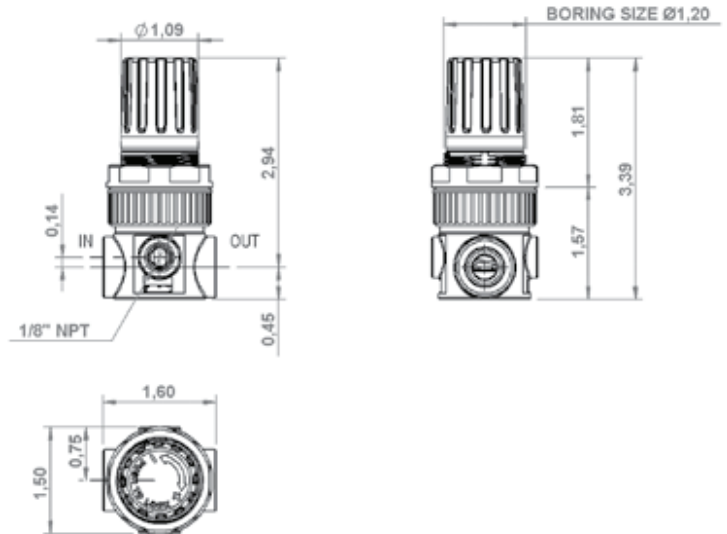


Line 039 1/8"-1/4" NPT Quick Exhaust Microregulator "SRU"



NEW



Guide to references

MR 1/4" NPT 039 08 R SRU

Connection

1/8" = 1/8" NPT
1/4" = 1/4" NPT

Line

039

Special Type

SRU = Quick exhaust

Version

R = Relieving (for air)

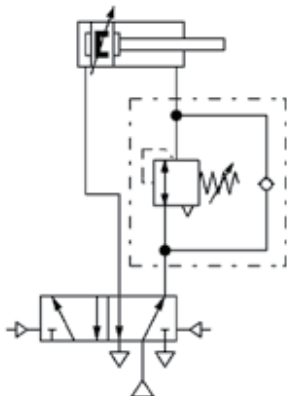
Range of pressure

02 = 0÷30 Psig (0÷2 Bar)
04 = 0÷60 Psig (0÷4 Bar)
06 = 0÷90 Psig (0÷6 Bar)
08 = 0÷120 Psig (0÷8 Bar)
12 = 0÷175 Psig (0÷12 Bar)

Order Codes

CODE	REF
X39.00.00441	MR 1/4" 039 02 R SRU
X39.00.00442	MR 1/4" 039 04 R SRU
X39.00.00443	MR 1/4" 039 08 R SRU
X39.00.00444	MR 1/4" 039 12 R SRU

Pneumatic scheme



Quick exhaust microregulator "SRU"

- * Unidirectional Quick Exhaust "SRU" version is equipped with an internal unidirectional valve which allows quick exhaust of pressure during depressurization of the circuit.
- * The most common application for SRU version consists in mounting this Microregulator between control valve and cylinder. The exhaust phase of the valve will not suffer load losses thanks to its passing through the unidirectional valve, thus guaranteeing speed and high performance. SRU version proposed with Line 039 joins the precision features and remarkable performance distinguishing this version.
- * Further technical features: please see Line 039
- * Product complies with Directive 2002/95/CE (RoHS)

Performances data

