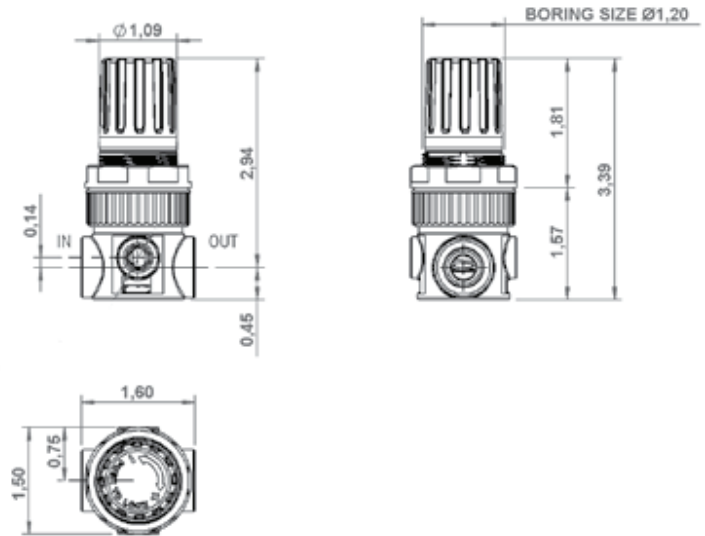


Line 039 1/8"-1/4" NPT Stainless steel Microregulator

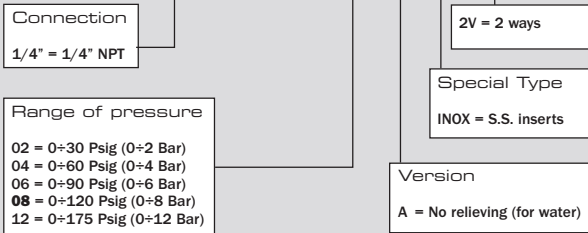


NEW



Guide to references

MR 1/4" NPT 039 08 A INOX 2V



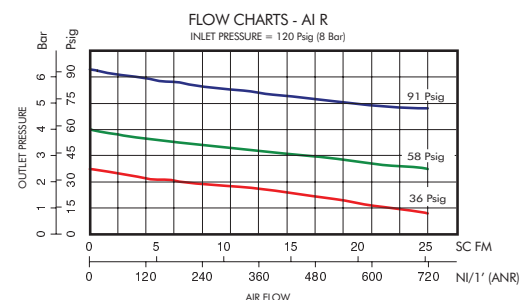
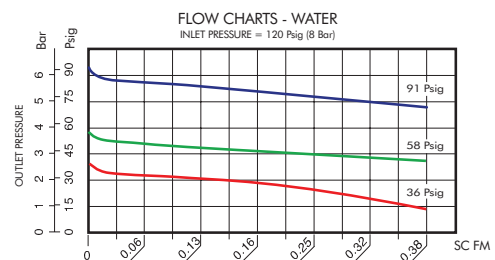
Order Codes

CODE	REF
X39.00.00242	MR 1/4" NPT 039 02 A INOX 2V
X39.00.00243	MR 1/4" NPT 039 04 A INOX 2V
X39.00.00244	MR 1/4" NPT 039 08 A INOX 2V
X39.00.00245	MR 1/4" NPT 039 12 A INOX 2V

Microregulator INOX

- * Microregulator designed for food sector applications, especially suggested for water pressure regulation.
- * Fluid: air or water
- * Balanced valve
- * No relieving function
- * Pressure range:
 - 0÷30 Psig, 0÷60 Psig, 0÷120 Psig (standard), 0÷180 Psig
 - 0÷2 Bar, 0÷4 Bar, 0÷8 Bar (standard), 0÷12,5 Bar
- * Maximum inlet pressure: 230 Psig (16 Bar).
- * Max ambient temp. (at 145 Psig): 122°F (50°C).
- * Max fluid temp. (cold drinking water): 73°F (23°C)
- * Max. torque inserts 1/8" NPT IN-OUT: 177 In lb (20 N·m).
- * Water Reference Flow rate (P= 58 Psig - ΔP = 14.5 Psig): 0.24 SCFM
- * Air Reference flow rate (P= 91 Psig - ΔP = 14.5 Psig): 15.9 SCFM
- * Weight: 0.22 lb (0,100 Kg).
- * Two ways body featuring Inlet and Outlet ports only, to avoid leakage from unused connections.

Performances data



Components

- 1) Diaphragm pin: S.S. AISI 316
 - 2) Sealing valve: TPC-ET*
 - 3) Regulator body: POM*
 - 4) O-Ring plug: NBR*
 - 5) O-Ring valve: NBR*
 - 6) Plug: POM*
 - 7) Valve spring: S.S. AISI 316
 - 8) Inserts: S.S. AISI 316
 - 9) Valve body: S.S. AISI 316
 - 10) Diaphragm: EPDM + Nylon*
- * All materials in contact with fluid are certified for food industry

