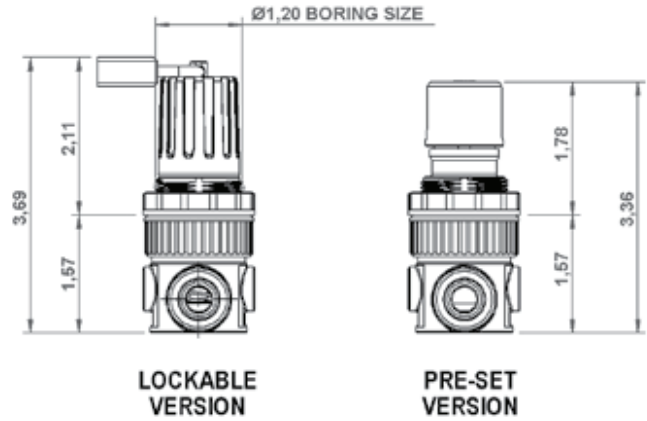




NEW



Guide to references

MR 1/4" NPT 038 08 R LK

Connection
1/8" = 1/8" NPT
1/4" = 1/4" NPT

Line
038
039

Special type
LK = With lock

Version
R = Relieving (for air)
A = No relieving (for water)

Range of pressure
02 = 0÷30 Psig (0÷2 Bar)
04 = 0÷60 Psig (0÷4 Bar)
06 = 0÷90 Psig (0÷6 Bar)
08 = 0÷120 Psig (0÷8 Bar)
12 = 0÷180 Psig (0÷12 Bar)

Microregulator with lock

- * All Aircomp Microregulators are available in the version with lock. This regulator version allows adjusting the required pressure and fix it, preventing accidental setting changes.
- * The regulator is equipped with padlock and two keys.
- * For further technical features, please refer to the respective Line.

Pre-set microregulator

- * Microregulators with outlet pressure pre-set by our production can be supplied upon request.
- * With this version the Customer receives a pre-set Regulator featuring the required outlet pressure, equipped with tamper-proof knob.
- * The tamper-proof knob enables keeping the pre-set outlet pressure, preventing unintentional pressure adjustments.
- * In order to change the pre-set pressure, it is necessary to break the knob.
- * Line recommended for pre-set version: Line 039, that keeps high precision on outlet pressure thanks to its own features.
- * For further information about tolerance on outlet pressure, please contact our offices.

Guide to references

MR 1/4" NPT 039 T 60PSIG R

Connection
1/8" = 1/8" NPT
1/4" = 1/4" NPT

Line
038
039

Version
R = Relieving (for air)
A = No relieving (for water)

Pre-set value
60 Psig

Special type
T = Pre-set version